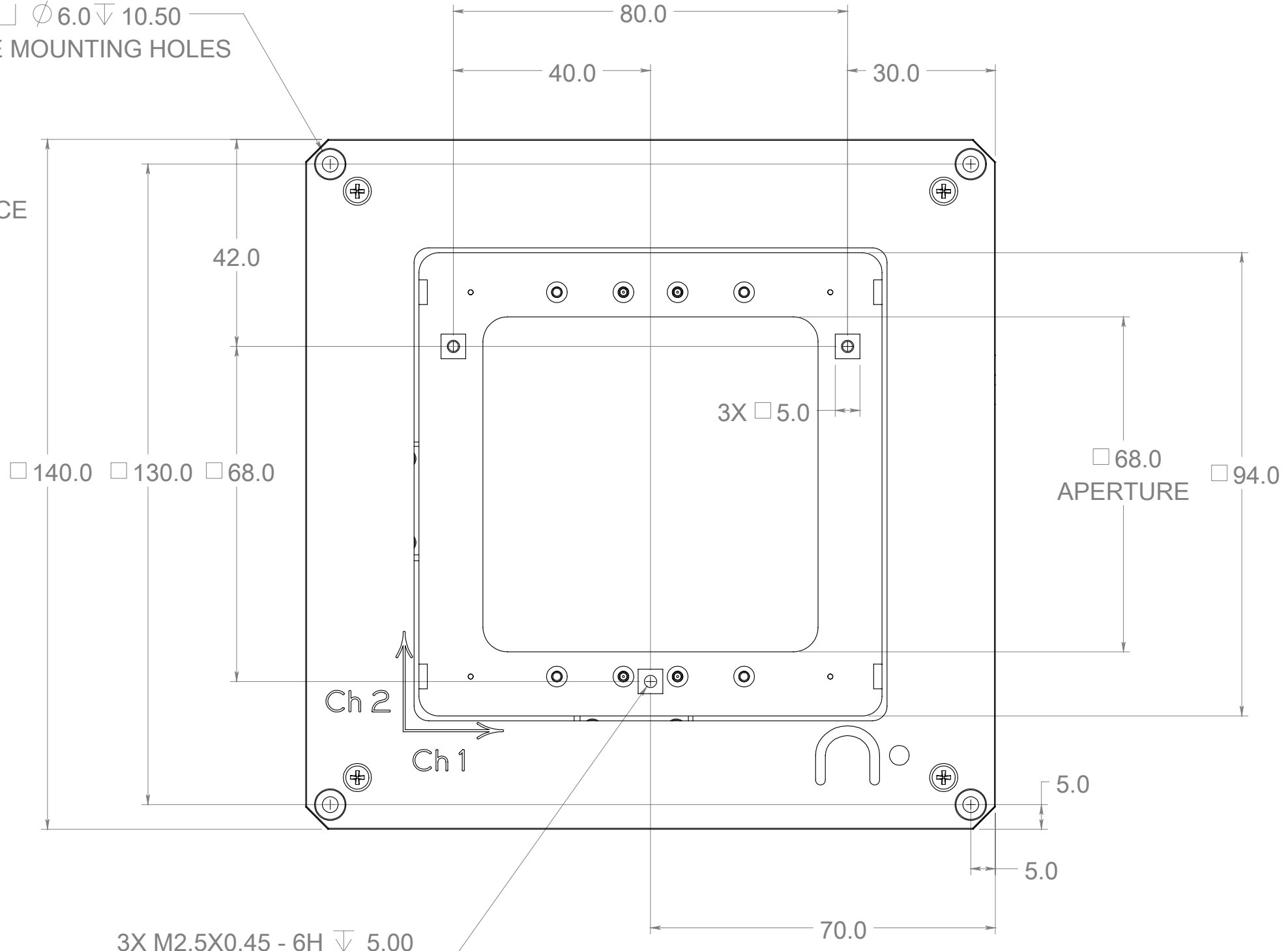


THE INFORMATION CONTAINED IN THIS DRAWING IS THE SOLE PROPERTY OF nPoint  
 ANY REPRODUCTION IN PART OR WHOLE WITHOUT WRITTEN PERMISSION IS PROHIBITED.

4X  $\phi 3.2 \nabla$  THRU ALL  
 $\square \phi 6.0 \nabla 10.50$   
 STAGE MOUNTING HOLES

0.30  
 MOUNTING SURFACE



3X M2.5X0.45 - 6H  $\nabla$  5.00  
 SPECIMEN MOUNTING HOLES

34.0  
 CABLE EXIT

18.7  
 27.7  
 38.3

UNLESS OTHERWISE SPECIFIED DIMENSIONS ARE IN MILLIMETERS  
 TOLERANCES ARE:  
 .XXX  $\pm .02$   $\pm .5^\circ$   
 .XX  $\pm .08$   
 .X  $\pm .15$



nPoint, Inc.  
 3030 Laura Lane  
 Suite 100  
 Middleton, WI 53562  
 Ph: (608) 824-1770  
 Fx: (608) 824-1774  
 www.npoint.com

PART DESCRIPTION		NPXY100Z50-244	
		3-AXIS SCANNER	
		XY 100um Z 50um TRAVEL	
PART NUMBER		3715244	REV. C
SIZE	B	SCALE	1:1
		SHEET 1 OF 1	

DO NOT SCALE DRAWING  
 CAD FILE: 3715135 INSTALLATION DRAWING.slddrw