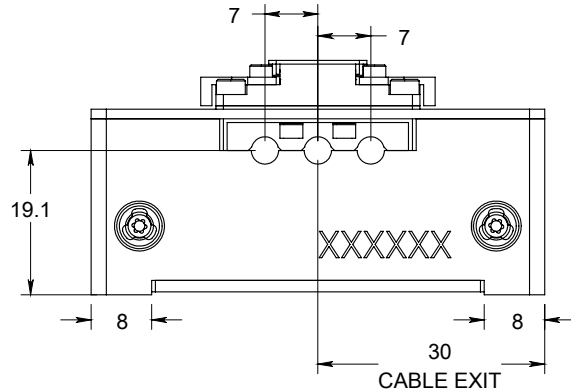
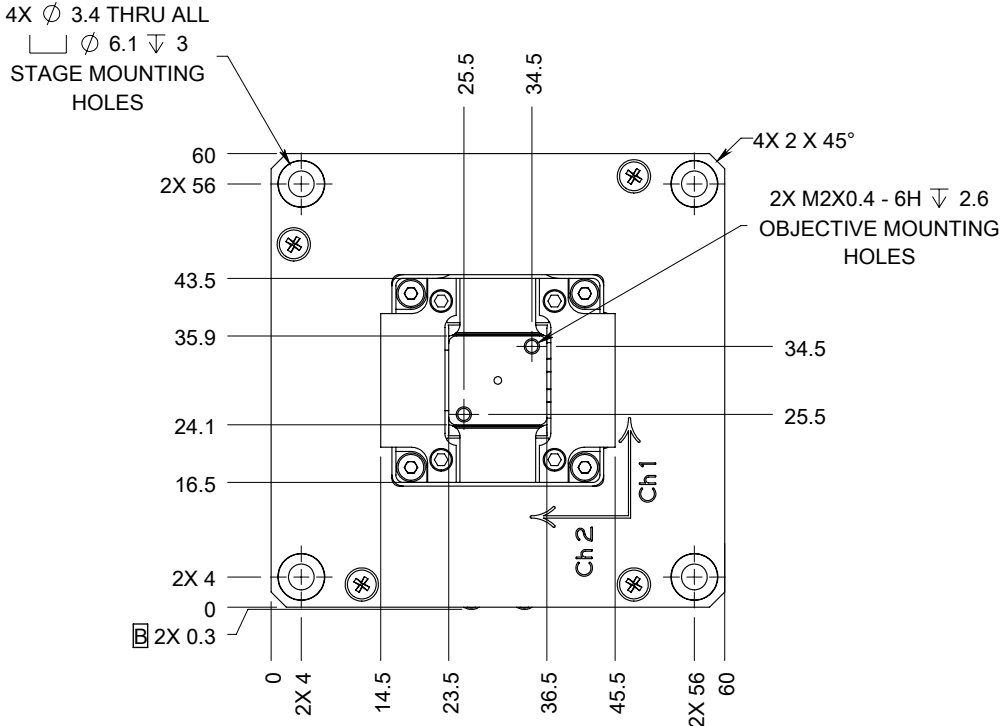
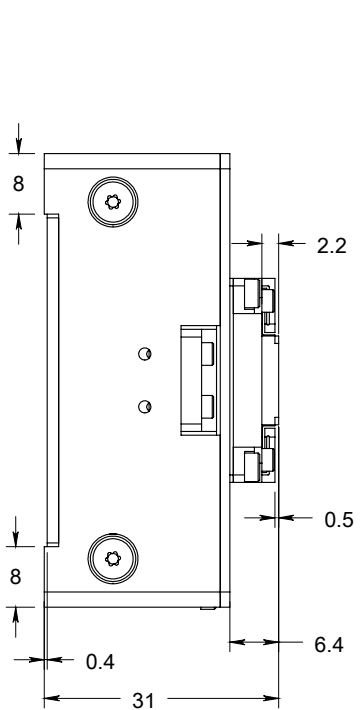
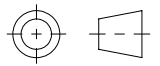


ZON E	REV	DESCRIPTION	DATE	BY	APP D
B3	B	REDESIGN CREATED SMALL SCREW HEAD PROTRUSION	7/17/2018	JF	NJE



APPROVALS	DATE
DRAWN: JF	2/21/2018

UNLESS OTHERWISE NOTED, ALL UNITS ARE IN MILLIMETERS



THIRD ANGLE PROJECTION

nPoint, Inc.  
3030 Laura Ln. Ste. 100  
Middleton, WI 53562  
Phone: (608) 824-1770  
Fax: (608) 824-1774  
www.npoint.com



DESCRIPTION NPXY50Z25-SS-477 3-AXIS SCANNER XY 50um Z 25um	
NUMBER 3715477	REV. B
SHEET 1 OF 1	