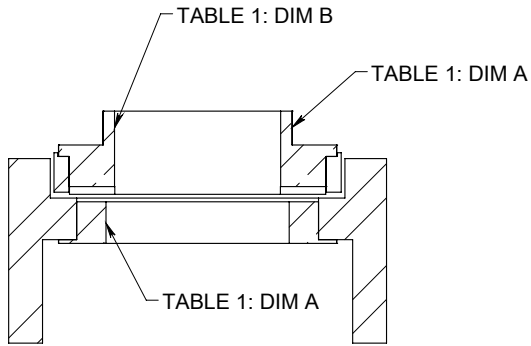
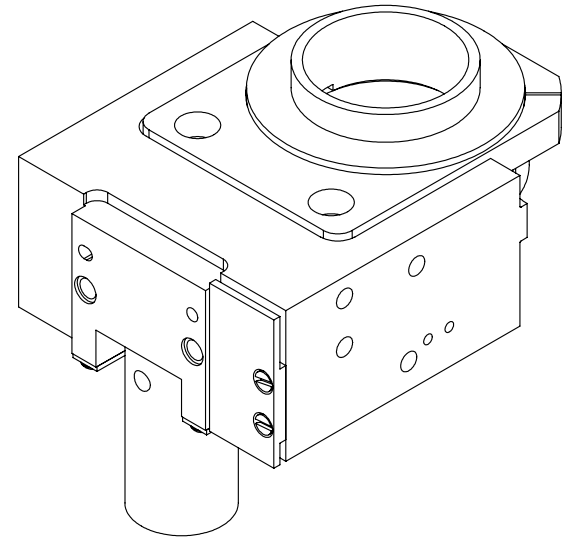
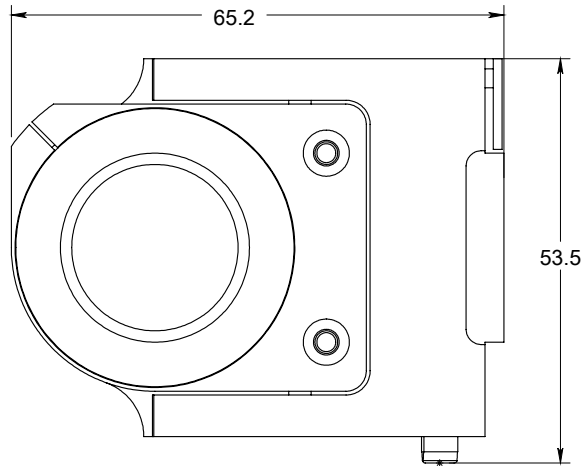


THE INFORMATION CONTAINED IN THIS DRAWING IS THE SOLE PROPERTY OF nPoint
 ANY REPRODUCTION IN PART OR WHOLE WITHOUT WRITTEN PERMISSION IS PROHIBITED.

CLAMP CONFIGURATION



SECTION A-A

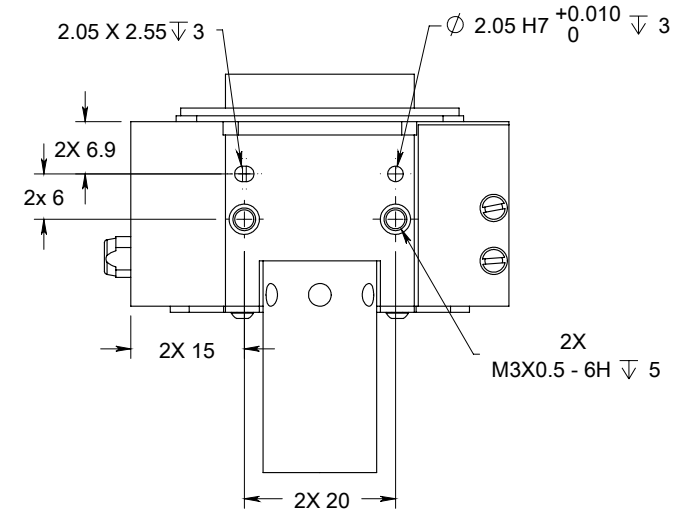
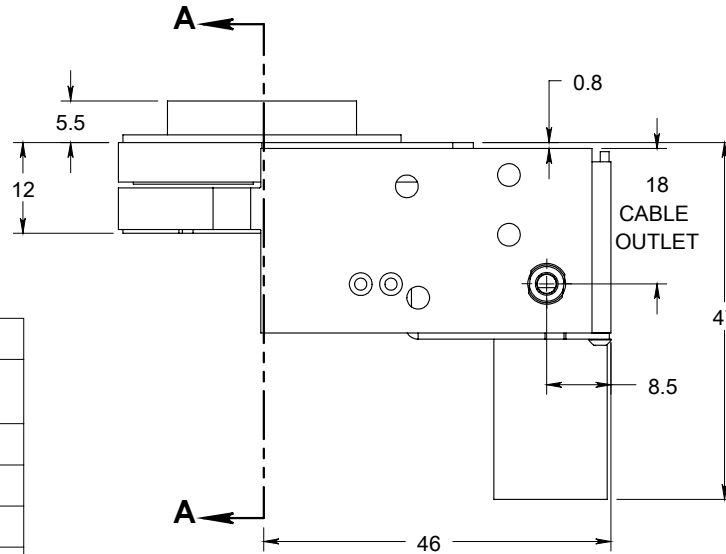


TABLE 1

SIZE	THREAD SIZE (DIM A)	DIAMETER (DIM B)
OBJ - 1	M19 X 0.75	14.0
OBJ - 2	M25 X 0.75	22.0
OBJ - 3	M26 X 0.75	23.0
OBJ - 4	M27 X 0.75	24.0
OBJ - 5	M28 X 0.75	25.0
OBJ - 6	M32 X 0.75	29.0
OBJ - 7	M26 X 1/36"	22.0
OBJ - 8	W0.8 X 1/36"	14.0
OBJ - 9	W26 X 1/36"	22.0

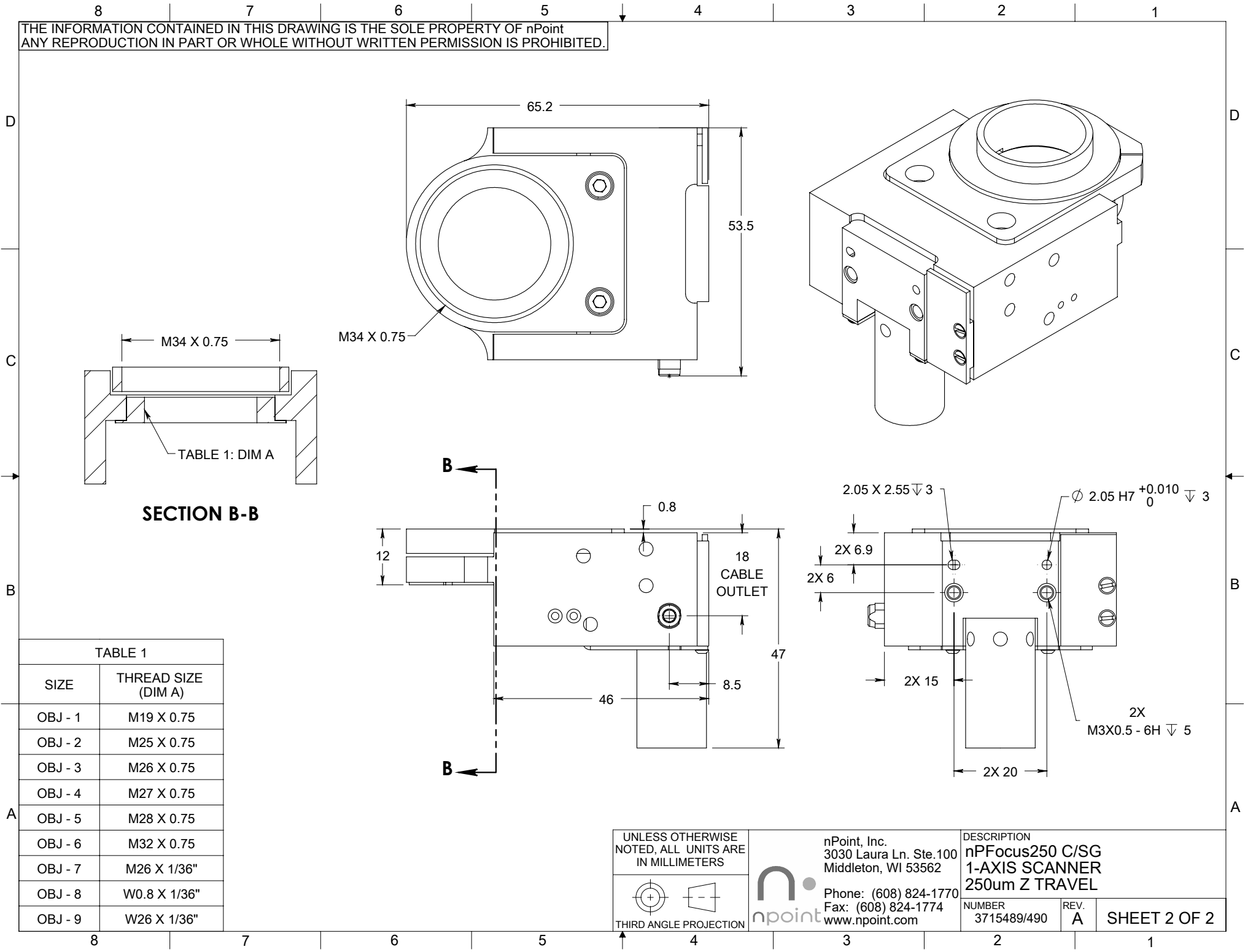
UNLESS OTHERWISE NOTED, ALL UNITS ARE IN MILLIMETERS

THIRD ANGLE PROJECTION

nPoint, Inc.
 3030 Laura Ln. Ste. 100
 Middleton, WI 53562
 Phone: (608) 824-1770
 Fax: (608) 824-1774
 www.npoint.com

APPROVALS		DATE
DRAWN: NJE		4-02-2020
DESCRIPTION		
nPFocus250 C/SG 1-AXIS SCANNER 250um Z TRAVEL		
NUMBER	REV.	
3715489/490	A	SHEET 1 OF 2

THE INFORMATION CONTAINED IN THIS DRAWING IS THE SOLE PROPERTY OF nPoint
 ANY REPRODUCTION IN PART OR WHOLE WITHOUT WRITTEN PERMISSION IS PROHIBITED.



SECTION B-B

TABLE 1	
SIZE	THREAD SIZE (DIM A)
OBJ - 1	M19 X 0.75
OBJ - 2	M25 X 0.75
OBJ - 3	M26 X 0.75
OBJ - 4	M27 X 0.75
OBJ - 5	M28 X 0.75
OBJ - 6	M32 X 0.75
OBJ - 7	M26 X 1/36"
OBJ - 8	W0.8 X 1/36"
OBJ - 9	W26 X 1/36"

UNLESS OTHERWISE NOTED, ALL UNITS ARE IN MILLIMETERS

THIRD ANGLE PROJECTION

nPoint, Inc.
 3030 Laura Ln. Ste.100
 Middleton, WI 53562
 Phone: (608) 824-1770
 Fax: (608) 824-1774
 www.npoint.com

DESCRIPTION	
nPFocus250 C/SG 1-AXIS SCANNER 250um Z TRAVEL	
NUMBER	REV.
3715489/490	A
SHEET 2 OF 2	